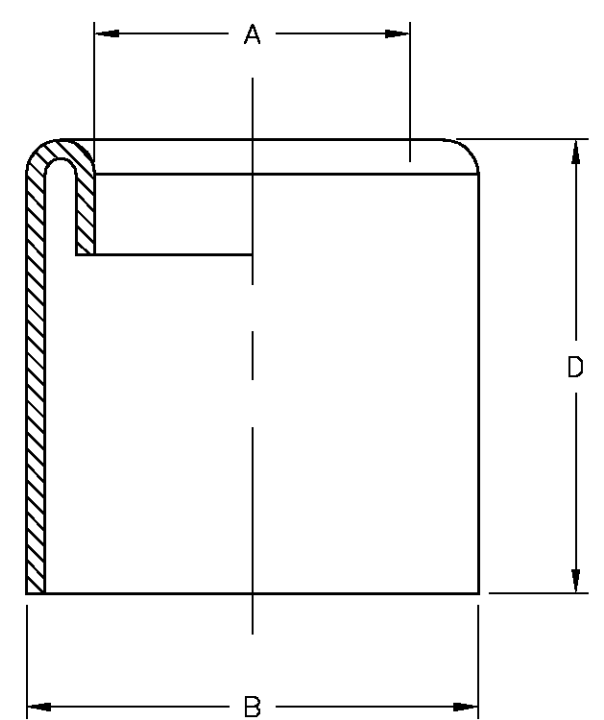


THIS DRAWING IS UNPUBLISHED. RELEASED FOR PUBLICATION
 © COPYRIGHT BY TYCO ELECTRONICS CORPORATION. ALL RIGHTS RESERVED.

LOC	DIST	REVISIONS			
P	LTR	DESCRIPTION	DATE	DWN	APVD
FT	0	B	REVISED PER 0G3B-0888-04	10/1/04	SS SH

△ MATERIAL: POLYAMIDE, BLACK.



WEIGHT kg/100p. APPROX.	PACKET/PIECES	D TOTAL HEIGHT	B EXTERNAL Ø	A INTERNAL Ø	AD OUTSIDE DIA.	PART NUMBER
-	-	-	-	-	2 1/2[70.0]	1-796918-0
0.630	10	.984[25.0]	2.224[56.5]	1.803[45.8]	1 1/2[54.5]	796918-9
0.480	25	.984[25.0]	1.752[44.5]	1.033[33.8]	1 1/4[42.5]	796918-8
0.335	25	.866[22.0]	1.437[36.5]	1.055[26.8]	1 [34.5]	796918-7
0.270	25	.866[22.0]	1.200[30.5]	.819[20.8]	3/4[28.5]	796918-6
0.190	50	.827[21.0]	.913[23.2]	.563[14.3]	1/2[21.2]	796918-5
0.190	50	.827[21.0]	.807[20.5]	.476[12.1]	3/8[18.5]	796918-4
0.120	50	.787[20.0]	.701[17.8]	.406[10.3]	3/8[15.8]	796918-3
0.105	50	.787[20.0]	.591[15.0]	.307[7.8]	1/4[13.0]	796918-2
0.080	50	.787[20.0]	.472[12.0]	.169[4.3]	3/16[10.0]	796918-1

THIS DRAWING IS A CONTROLLED DOCUMENT.

DWN S. HAMM 04-MAR-2002	 Tyco Electronics Corporation Harrisburg, Pa 17105-3608
CHK S. HEADER 04-MAR-2002	
APVD S. HEADER 04-MAR-2002	
PRODUCT SPEC	NAME SLEEVE-TERMINAL
APPLICATION SPEC	SIZE A3
WEIGHT -	CAGE CODE 00779
CUSTOMER DRAWING	DRAWING NO C-796918
	RESTRICTED TO -
	SCALE NTS
	SHEET 1 OF 1
	REV B

DIMENSIONS:	TOLERANCES UNLESS OTHERWISE SPECIFIED:
INCHES [MM]	
	0 PLC ±
	1 PLC ±
	2 PLC ±
	3 PLC ±
	4 PLC ±
	ANGLES ±
MATERIAL - △	FINISH -